



Data-Lynx O/P

Category

C) Ethernet and Art-Net

Description

Art-Net Ethernet to 12 universe DMX512 & RDM converter



Mechanical

- Housing: 19" 1U Rack Enclosure
- Material: Metal
- Overall Dimensions: 1RU (H) x 19" Rack (W) x 257mm (D)
- Mass: 3.4kg
- Mounting: Desktop or 19" Rack Mounting (with supplied Rack Ears)
- Country of Manufacturer: The United Kingdom

Control

- Control: 12 Universes (output)
- Input Protocols: Art-Net II
- Input Connector: RJ45 (Ethercon)
- Output Protocols:
 - DMX512-A
 - RDM V1.0 (E1.20 - 2006 ESTA Standard)
- Output Connector: 5pin Female XLR
- Configuration: Universe, Sub-Net, Config (Art-Net)
 - DMX Output Specification (via Web Browser)
 - Ethernet IP Address

Electrical

- Input Voltage: 90-250V AC
- Input Connector: IEC C13 Male
- Input Power (max): 30W
- Duty Cycle: 80% @ 25°C
- Mains Earthing: Case connected to Mains Earth
- Mains Fuse: 3.15A Slow Blow

Isolation / Protection

- Isolation:
 - External Ethernet port Isolated to 2kV
 - DMX Output - Ground Referenced
- Protection: Mains 3.15A Slow Blow Fuse
 - Internal Resettable Fuse - Control Electronics
 - +15kV ESD DMX Driver Protection

Environmental

- Operating Temperature: 0°C to 40°C
- Storage Temperature: -10°C to +50°C
- Operating Relative Humidity (max): 80% Non-Condensing
- IP Rating: IP20 Indoor Use Only
- Certification: CE FCC, WEEE, RoHS
- Warranty: 2 Year (Return to Base)

Package Contents

- Data-Lynx O/P
- User Guide
- IEC Mains Lead
- Rack-Ears
- Jumpers (for configuration pins)

User Interface / Indication

- Connections: (2) RJ45 Ethercon Art-Net
 - (1) IEC C13 Male Mains Input
 - (12) 5pin Female XLR DMX Output
- User Interface: Web-Browser / DMX-Workshop
- Configuration: Jumpers / Switches
 - Sub-Net, RDM Disable, IP Address
 - ROM Boot, Factory Reset
- Indication: Power / Ethernet Link / Activity / Speed
 - Art-Net Activity / DMX Transmitted

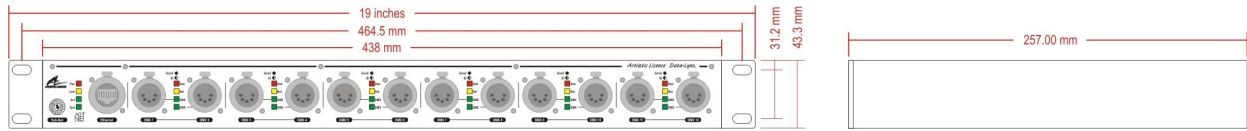
Ordering Info

Product Code: Data-Lynx O/P

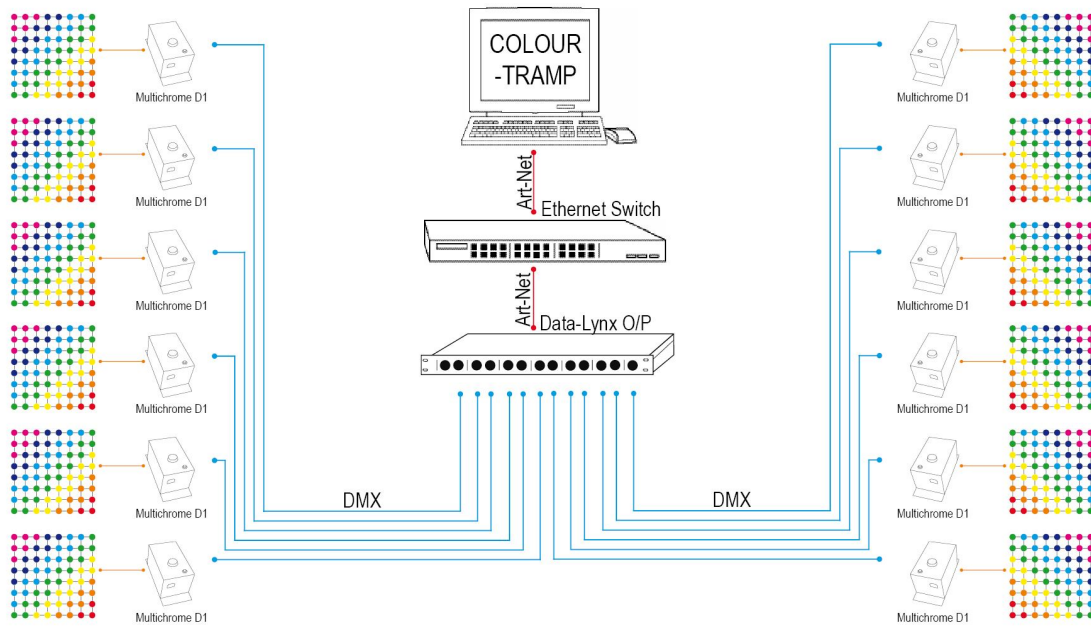




Mounting Drawing



Wiring Drawing



Artistic Licence Engineering Ltd Artistic Licence Integration Ltd

24 Forward Drive
Christchurch Avenue
Harrow, Middlesex
London, HA3 8NT
United Kingdom

Telephone +44 (0)20 8863 4515
Fax +44 (0)20 8426 0551

Email: Sales@ArtisticLicence.com
www.ArtisticLicence.com

Artistic Licence Asia

1203, 69 Jervois Street
Shueng Wan
Hong Kong

Telephone +852 2850 8808
Fax +852 2850 8825

Email: ALASales@ArtisticLicence.com
www.ArtisticLicence.com



Due to our policy of continuing product improvement specifications are subject to change without notice

